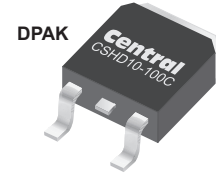


## CSHD10-100C

### 10A, 100V Dual, Common Cathode, High Voltage Schottky Rectifier in the DPAK package



Central Semiconductor's CSHD10-100C is a Schottky rectifier designed for surface mount high voltage applications requiring a low forward voltage drop. This device consists of two 5 amp Schottky rectifiers in a common cathode configuration making it ideal for a wide range of high current high temperature applications.

#### Features:

- High Current ( $I_O = 10A$  total)
- Low forward voltage ( $V_F = 0.8V @ 5.0A$ )
- Low leakage at high temperatures ( $I_R = 20mA @ T_J = 100^\circ C$ )

#### Applications:

- Solar by-pass diode
- DC-DC output rectification
- Reverse polarity protection

#### Benefits:

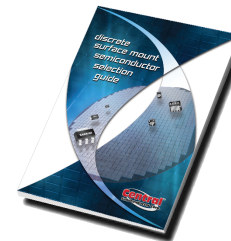
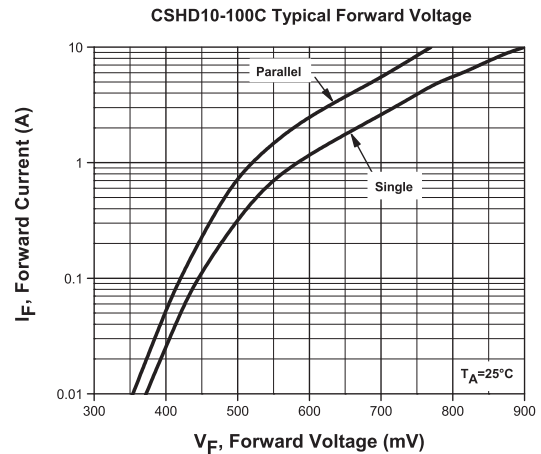
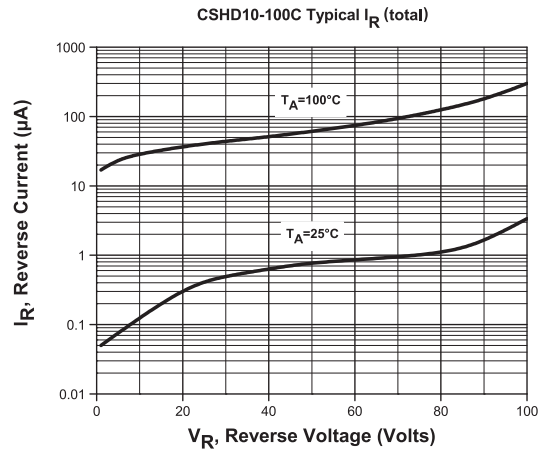
- Energy efficiency
- Elevated temperature performance
- Single, dual or parallel configurations

#### Samples and Literature



To order samples of this device visit:  
[www.centalsemi.com/info/CSHD10-100C](http://www.centalsemi.com/info/CSHD10-100C)

#### Typical Electrical Characteristics



New  
**SMD  
 SELECTION  
 GUIDE**

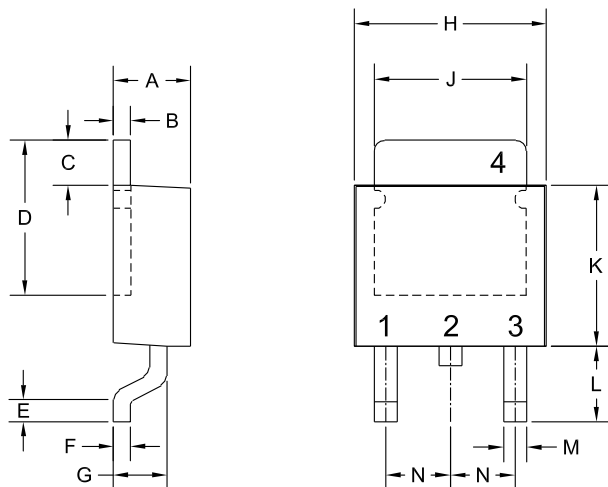
Order your selection guide today.  
 Visit: [web.centalsemi.com/search/sample.php](http://web.centalsemi.com/search/sample.php)

Maximum Ratings ( $T_A = 25^\circ C$ unless otherwise noted)				Electrical Characteristics Per Rectifier: ( $T_A = 25^\circ C$ unless otherwise noted)			
$V_{RRM}$ (V) MAX	$I_O$ $T_C = 75^\circ C$ (A) MAX	$T_J, T_{stg}$ ( $^\circ C$ ) MAX	$I_{FSM}$ (A) MAX	$V_F$ (V) MAX	@ $I_F$ (A)	$I_R$ $*T_J = 100^\circ C$ MAX	@ $V_R$ (V)
100	10	-65 to +175	100	0.8 0.9 (TYP)	5.0 10	50 $\mu A$ *20mA	100 100

# CSHD10-100C

# 10A, 100V Dual, Common Cathode, High Voltage Schottky Rectifier in the DPAK package

## Mechanical Drawing - DPAK

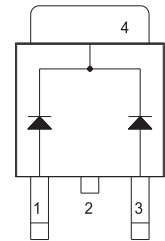


SYMBOL	DIMENSIONS			
	MIN	MAX	MIN	MAX
A	0.083	0.108	2.10	2.75
B	0.016	0.024	0.40	0.60
C	0.063		1.60	
D	0.203	0.219	5.15	5.55
E	0.039		1.00	
F	0.020		0.50	
G	0.051	0.071	1.30	1.80
H	0.248	0.268	6.30	6.80
J	0.197	0.217	5.00	5.50
K	0.209	0.224	5.30	5.70
L	0.090	0.106	2.30	2.70
M	0.012	0.031	0.30	0.80
N	0.091		2.30	

DPAK RECTIFIER (REV: R2)

R2 Part Marking: Full Part Number

## Pinout



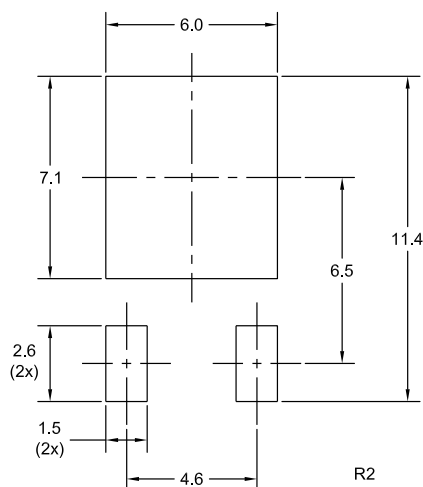
### LEAD CODE:

- 1) Anode 1
  - 2) Cathode
  - 3) Anode 2
  - 4) Cathode
- Pin 2 is Common to Tab (4)

**MARKING:**  
**FULL PART NUMBER**

## Mounting Pad Geometry

(Dimensions in mm)

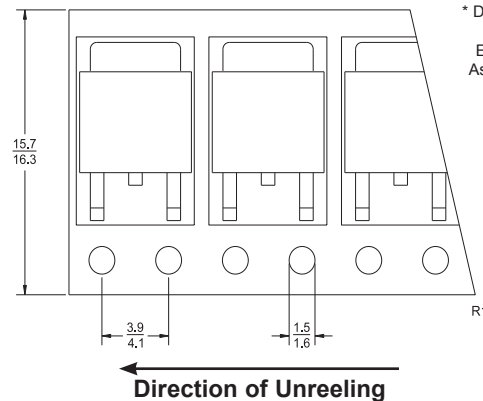


R2

## Tape Dimensions and Orientation

(Dimensions in mm)

Tape Width: 16mm



\* Devices are taped in accordance with Electronic Industries Association Standard EIA-481-2-A

R1

**Packaging Base** 13" Reel = 2,500 pcs.

## Reel Packing Information

Reel Size	Reels per Box (Maximum)	Parts per Box (Maximum)	Box Dimensions		Shipping Weight (Max.)	
			INCH	CM	LB	KG
13"	4	10,000	15x4x15	38x10x38	12	6
	9	22,500	15x15x9	38x38x23	25	12
	18	45,000	15x15x18	38x38x46	49	23

Sample devices available upon request. To order samples of this device visit: [www.centrasemi.com/info/CSHD10-100C](http://www.centrasemi.com/info/CSHD10-100C)



For further information contact:  
Sales at Central Semiconductor Corp.  
(631) 435-1110 or visit:  
[www.centrasemi.com](http://www.centrasemi.com)